

MODEL 3151

TECHNICAL SPECIFICATIONS

縦型タイプ

製造ラインで発生するパウダー、紙粉等の残留物の回収に威力を発揮

縦型省スペース

静音、連続運転、メンテナンスフリーのシーメンス社製ブローア採用

マニュアルフィルターシェイカー装備 (3151型)

OPTIONALS AVAILABLE

コンテナ、本体の材質変更可能 (SUS304)

豊富なオプションフィルター

高精度アブソルートフィルター (99.999% DOPテスト)

TECHNICAL SPECIFICATIONS		Mod. 3051	Mod. 3101	Mod. 3151
VOLTAGE	VOLT	230/400/50	230/400/50	230/400/50
POWER	kW	0,37	0,78	1,5
POWER	HP	0,5	1	2
VACUUM max	mm H ₂ O	1.200	2.050	2.500
AIR FLOW max	l./m'	1.300	2.600	3.850
FILTERING SURFACE	cm ²	2.300	2.300	4.250
NOISE LEVEL	dB(A)	62	63	67
PROTECTION	IP	55	55	55
INSULATION	Class	F	F	F
CAPACITY	l.	9	9	25
MACHINE INLET	mm	40	40	50
BLOWING	mm	40	*Sil. Ø60	*Sil. Ø80
DIMENSIONS	cm	42x38	42x38	54x45
HEIGHT	cm	82	82	105
WEIGHT	kg	24	28	42
ABSOLUTE FILTER SURFACE	cm ²	11.000	11.000	
A.F.EFFICIENCY(D.O.P.method)	%	99,999	99,999	99,999

* additional silencer standard supply.



Mod. 3151 TX. Version with cut-out switch and stainless steel drum (optional)

MODEL 100/28

TECHNICAL SPECIFICATIONS

横型タイプ

製造、加工装置の内部組込みに最適、製造ラインで発生するパウダー、紙粉等の残留物の回収に威力を発揮

横型省スペース

静音、連続運転、メンテナンスフリーのシーメンス社製ブローア採用

OPTIONALS AVAILABLE

コンテナ、本体の材質変更可能 (SUS304)

豊富なオプションフィルター

高精度アブソルートフィルター (99.999% DOPテスト)



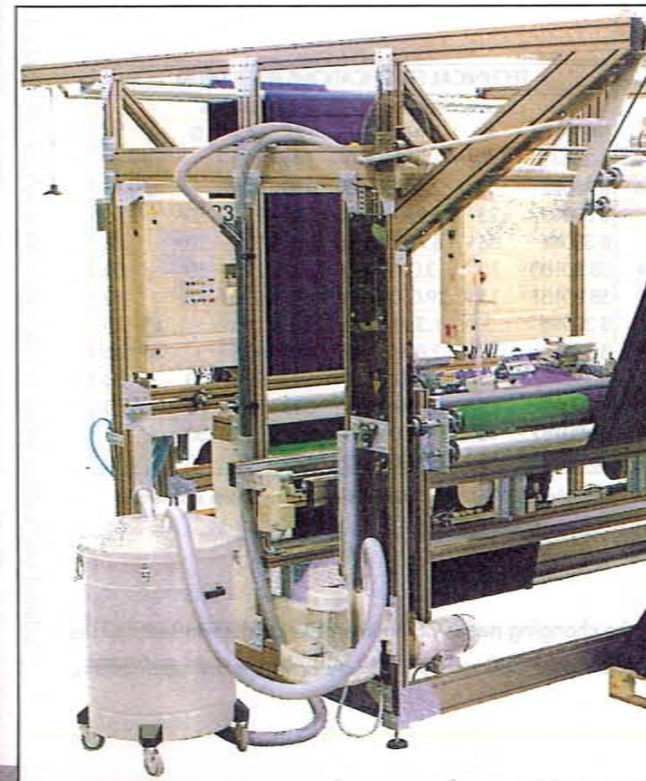
Continuous suction in a wide range of industrial sector.

TECHNICAL SPECIFICATIONS		Mod. 040/22	Mod. 100/28	Mod. 150/36	Mod. 100/36
VOLTAGE	VOLT	230/400/50	230/400/50	230/400/50	230/400/50
POWER	kW	0,37	0,78	1,5	0,78
POWER	HP	0,5	1	2	1
DEPRESSION max	mm H ₂ O	1.200	2.050	2.500	2.050
SUCTION	l./m'	1.300	2.600	3.850	2.600
FILTER SURFACE	cm ²	1.350*	2.300*	4.250	4.250
NOISE	dB(A)	62	65	68	65
PROTECTION	IP	55	55	55	55
INSULATION	Class	F	F	F	F
CAPACITY	l.	2	9	25	25
INLET	mm Ø	40	40	50	50
BLOWING	mm Ø	40	° Ø40	* Ø80	° Ø40
DIMENSIONS	cm	29x52	37x70	48x77	48x77
HEIGHT	cm	40	48	97	48
WEIGHT	kg	17	22	39	31
ABSOLUTE FILTER SURFACE	cm ²		11.000		11.000
A.F.EFFICIENCY(D.O.P.method)	%	99,999	99,999	99,999	99,999

* additional silencer standard supply.

° additional silencer optional.

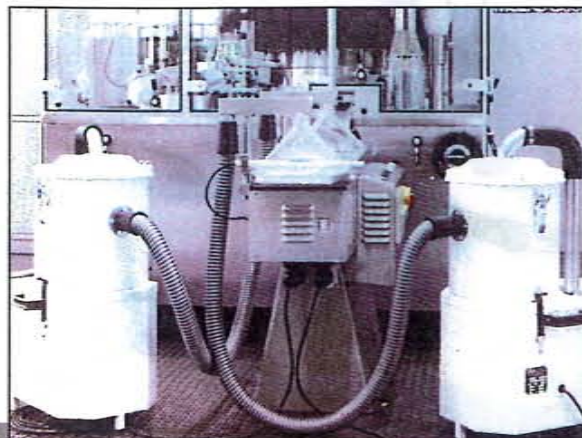
• Without filter shaker.



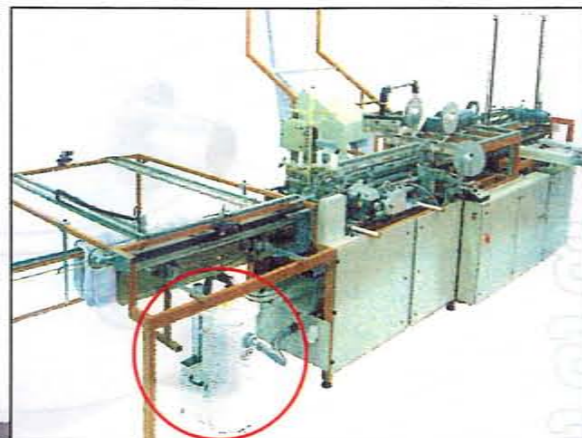
EXAMPLES OF INDIVIDUAL COMPONENTS (technical information given on the last page)



レンズ製造エリア
レンズ研磨機組込みに!



製薬、化学製造エリア
カプセル充填機、パッケージ装置等

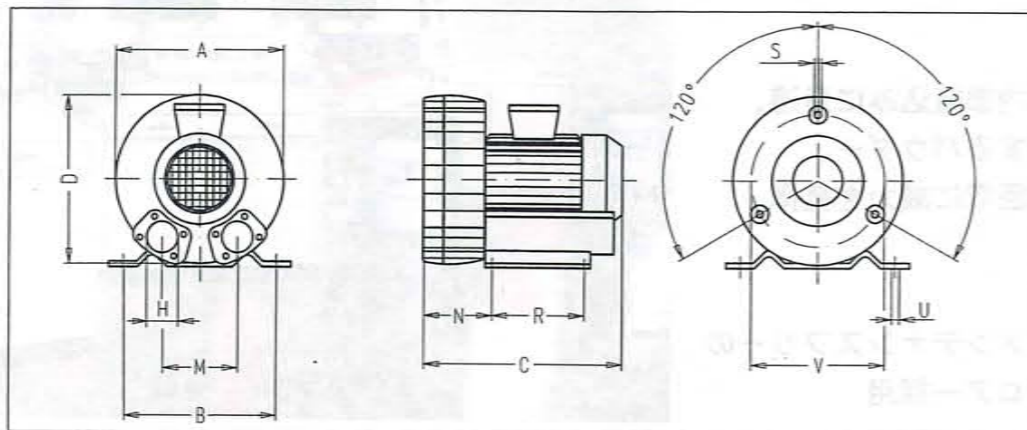


繊維製造エリア
カッティング、織機等



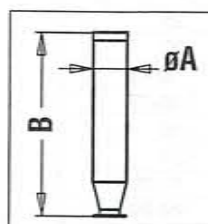
包装材のカッティング

CFM can satisfy a wide range of logistic and power requirements by offering different machine configurations. Either the vacuum and drum with filter can be separate units. This split configuration permits efficient vacuuming innumerable applications where space or other considerations do not allow a single unit installation. Vacuums are available with standard or special voltages. The drum is also available in AISI 304 stainless steel and painted steel.



VACUUM UNITS

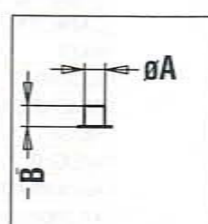
MODEL	TECHNICAL SPECIFICATIONS					DIMENSIONS										
	VOLTAGE Volts	POWER kW	DEPRESSION mm/H ₂ O	CAPACITY lit./min	WEIGHT kg	ø A	B	C	D	ø H	M	N	R	S	ø U	V
4 54004	230/400/50	0.36	1.200	1.300	9	238	205	221	255	40	87	64	83	M6	9.5	140
4 54010	230/400/50	0.73	2.050	2.600	13	287	225	232	306	40	130	76	95	M6	12	188
4 55020	230/400/50	1.5	2.500	3.850	21	334	260	326	337	55	120	85	115	M8	14	200
4 55030	230/400/50	2.2	3.200	5.100	29	382	290	347	384	55	125	109	140	M10	15	240



SILENCER

PART. NO	MODEL	ø A	B
	4 54004		
8 32035	4 54010	60	300
8 32113	4 55020	80	610
8 32113	4 55030	80	610

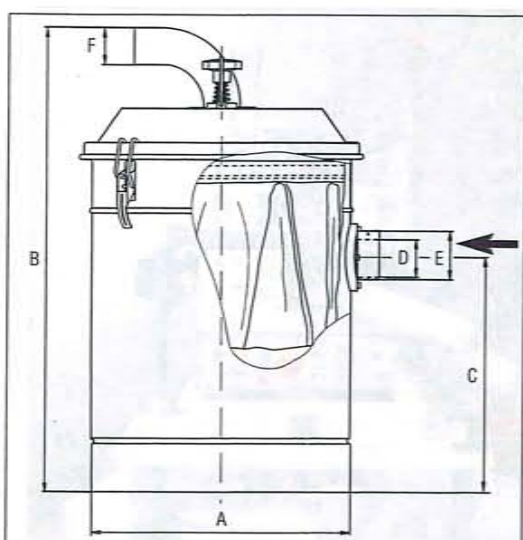
○ optional □ standard supply



FITTING

PART. NO	MODEL	ø A	B
	4 54 004	40	30
	4 54010	40	30
8 32312	4 55020	50	50
8 32312	4 55030	50	50

○ optional □ standard supply



FILTER DRUM

Ask for the specific catalogue for details on the complete range of accessories.

PART. NO	Capacity		Dimensions mm					
	lit.	cm ³	A	B	C	D	E	F
* ○ 8 30041	3	1.350	220	340	110	-	40	40
* ○ 8 30042	9	2.300	280	430	185	-	40	40
* 8 30043	25	4.250	360	630	295	50	-	50
* 8 30044	66	6.400	460	830	250	70	-	70
* ○ 58 30180	10	13.000	360	630	295	50	-	50
* ○ 58 30181	15	29.000	460	830	250	70	-	70
Δ ○ 8 30046	3	1.350	220	340	110	-	40	40
Δ ○ 8 30047	9	2.300	280	430	185	-	40	40
Δ 8 30048	25	4.250	360	630	295	50	-	50
Δ 8 30049	66	6.400	460	830	250	70	-	70
Δ ○ 58 30182	10	13.000	360	630	295	50	-	50
Δ ○ 58 30183	15	29.000	460	830	250	70	-	70

* without filter shaker ○ star filter * standard version Δ stainless steel version

For over two decades CFM has manufactured industrial vacuums designed expressly to handle the changing needs of innumerable production sectors. The product range includes over 35 basic models and many standard modifications which in all totals over 300 versions. If you have special applications, CFM's Technical Department will be happy to discuss them with you to find the best solution.



INDUSTRIAL VACUUMS

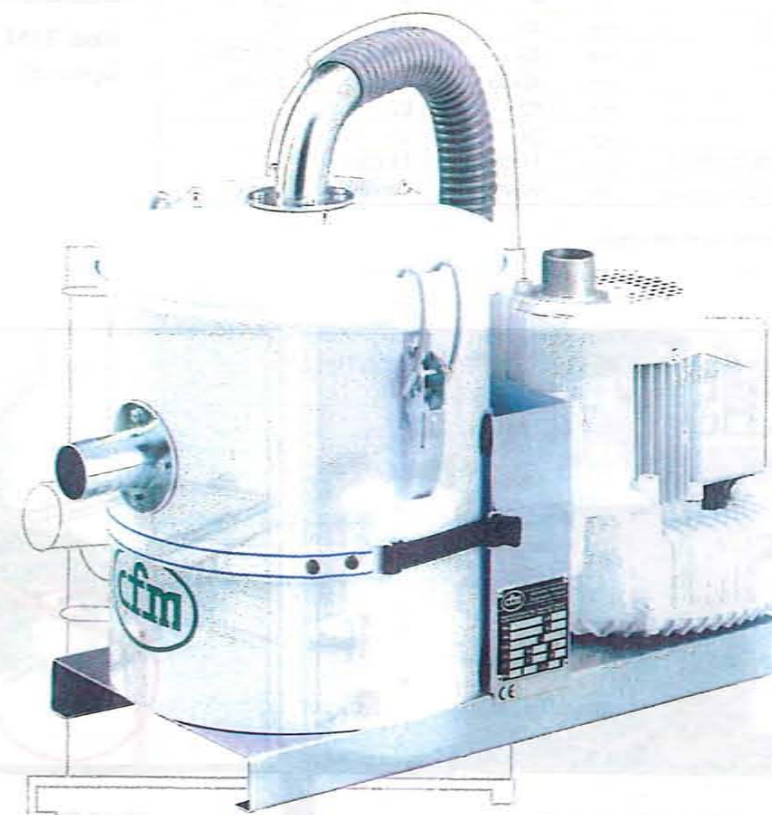
M. O. D.
3051
3101
3151

THE ANSWER
TO MANY NEEDS
IN A VERY SMALL SPACE



Technical specifications, colours and illustrations are merely indicative and not binding or manufacturer.

M. O. D.
100/28
100/36
150/36



ニルフィスク アドバンス株式会社

本社 〒224-0033 神奈川県横浜市都筑区茅ヶ崎東 3-17-40

TEL 045-942-7741 FAX 045-942-6545

UNI - EN ISO 9002

N. 91030 CFM 2